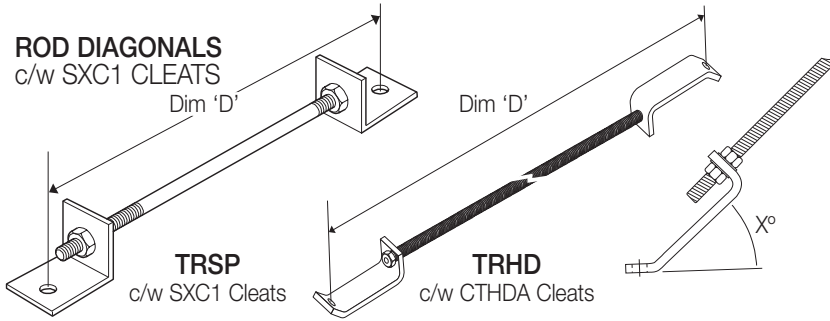


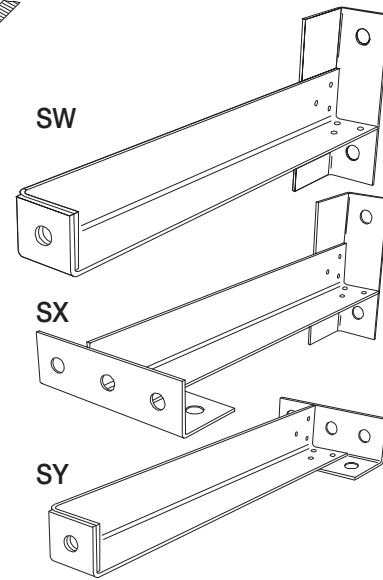
Accessory Order Form



CUSTOMER NAME A CUSTOMER	ORDER NO. 12345	PROJECT SUPERMARKET
------------------------------------	---------------------------	-------------------------------



TILED ROOF SYSTEM



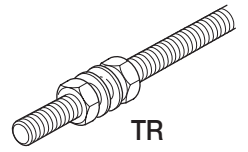
For design information please see page 14 of our Technical Handbook (Ref. P128)

ROD TYPE	QTY	HOLE TO HOLE DIM 'D'	X° (TRHD ONLY)	ID MARK
TRSP	28	1400		RDI

	QTY	PURLIN CENTRES	ID MARK
SW TYPE ANGLE Please specify section size M205	28	14001	SWI
SX TYPE ANGLE Please specify section size M205	4	14001	SXI
SY TYPE ANGL			

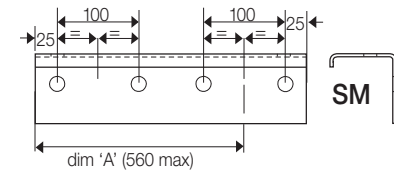
BACKING PLATES (SWBP1)	QUANTITY	
-------------------------------	----------	--

SCREWED ROD TIES



QUANTITY	LENGTH	ID MARK
6	1800	SRI

STUBS



QUANTITY	LENGTH	ID MARK
4	400	STI

MULTICHANNEL BASE CLEAT

QTY.	REF
4	MC205

MULTICHANNEL END CLEAT

QTY.	REF
2	MC2
	MC3
	MC4
	MC5
	MC6